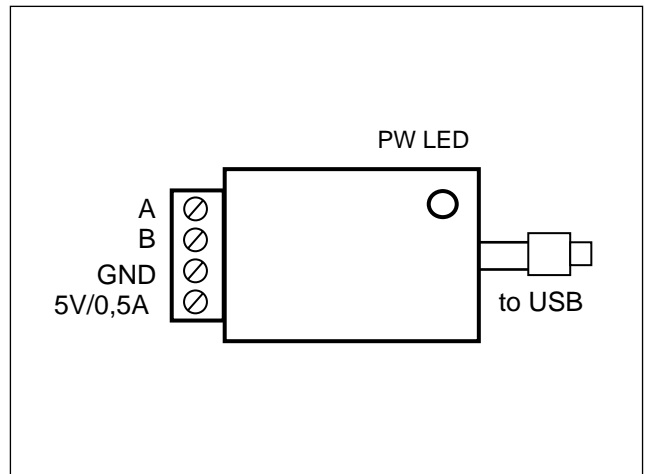




USB to RS485 Adapter



Schematic

Description:

- Low cost Driver, USB2.0 to RS485 self pw
- USB Bridge Chip: Cp2102GM(Si-Labs.)
- RS485 Chip: LTC485(or similar)
- Compatible with: Windows, Linux, Mac
- Power supply: self powered(from USB)
- Rx,Tx : auto switch(no delay from USB chip)
- Baud rate: 4800 – 115.200bps
- Optical : LED power
- Terminal Resistor: **120R** on board
- Data Transfer rate: up to 10MB/s
- Transmit distance: up to 1200m
- Supports automatic handshake mode
- Temperature: -20°C to +85°C
- USB cable length: 1,8m
- Bus power : 5V/0,5A (12V, 24V)
- Device per bus: up to 32
- Case : ABS black IP20
- Dimension: 72x50x28mm

Technical :

Pin out: A, B, GND, +5V/0,5A(from USB)

USB driver link:

www.silabs.com

DR1205 Adapter: Pin out



Other version:

Bus power: 12V
3x LED: PW, Rx, Tx